

Wafer Check Valves

Wafer Check Valves Carbon Steel

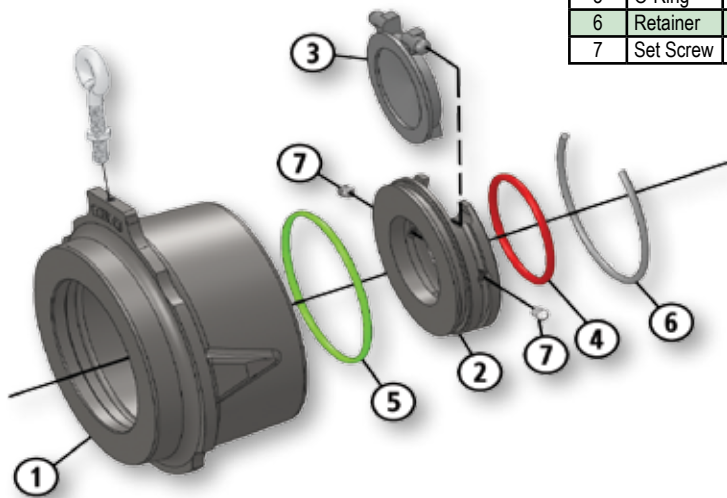
- Long Pattern Swing Check Valve
- ANSI 300 (740 PSI WP)
- 2" Through 6"
- Forged Steel Body Construction

- Replaceable Seat Disc Cartridge
- Seal Located in Seat, Thus Protected From Flow
- NACE Standard
- 316 Stainless Steel Disc Standard
- Generally Larger Port Sizes Than Other Brands



Material Description

ITEM	PART NAME	CARBON STEEL SEAT	STAINLESS STEEL SEAT
1	Body	ASTM A105	ASTMA105
2	Seat	Replaceable Carbon Steel	Replaceable 316 Or 17-4PH Stainless Steel
3	Disc	Replaceable 316 Stainless Steel	Replaceable 316 Stainless Steel
4	O-Ring	Seat Seal: Fluorocarbon	Seat Seal: Fluorocarbon
5	O-Ring	Assembly Seal: Buna-N	Assembly Seal: Fluorocarbon
6	Retainer	Stainless Steel	Stainless Steel
7	Set Screw	Stainless Steel	Stainless Steel



Dimensional Data

SIZE	CATALOG NUMBER		PORT	D	L	STUD LENGTH	LBS.
	CARBON STEEL SEAT	STAINLESS STEEL SEAT					
2	2L-300	2L-300S	1.5	4.37	2.37	6.25	4.9
3	3L-300	3L-300S	2	5.87	2.87	7.25	11.8
4	4L-300	4L-300S	3	7.12	2.87	7.75	15
6	6L-300	6L-300S	4.75	9.87	3.87	9	34.8

